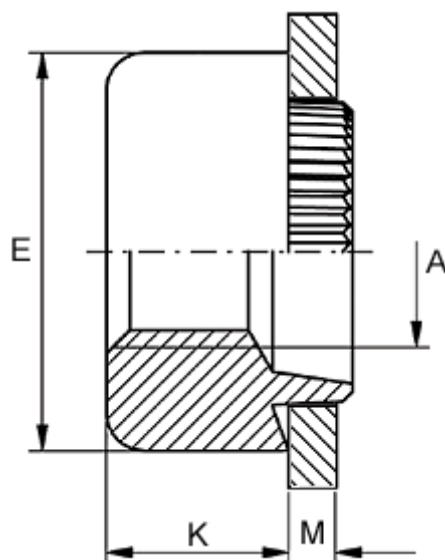


Article number: 12704000140110

Description: KLEE-coil 704 000 140.110  
M14 Unhardened, zinc-pl. & chr. blue

## Measures

---



Female thread A	= M14
Height K	= 10.0
Outer diameter E	= 25.0
Plate thickness	= 0.9 to 1.0
Recommended bore diameter for extreme load	= 19.0
Recommended bore diameter for normal use	= 20.0